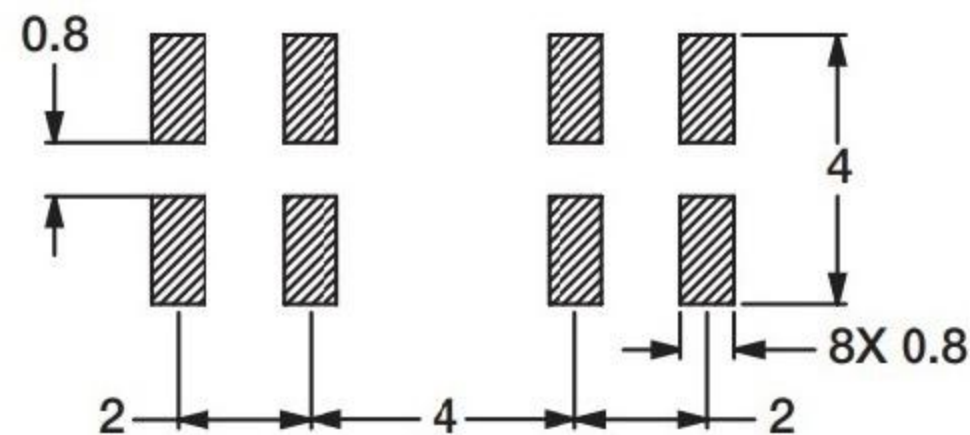
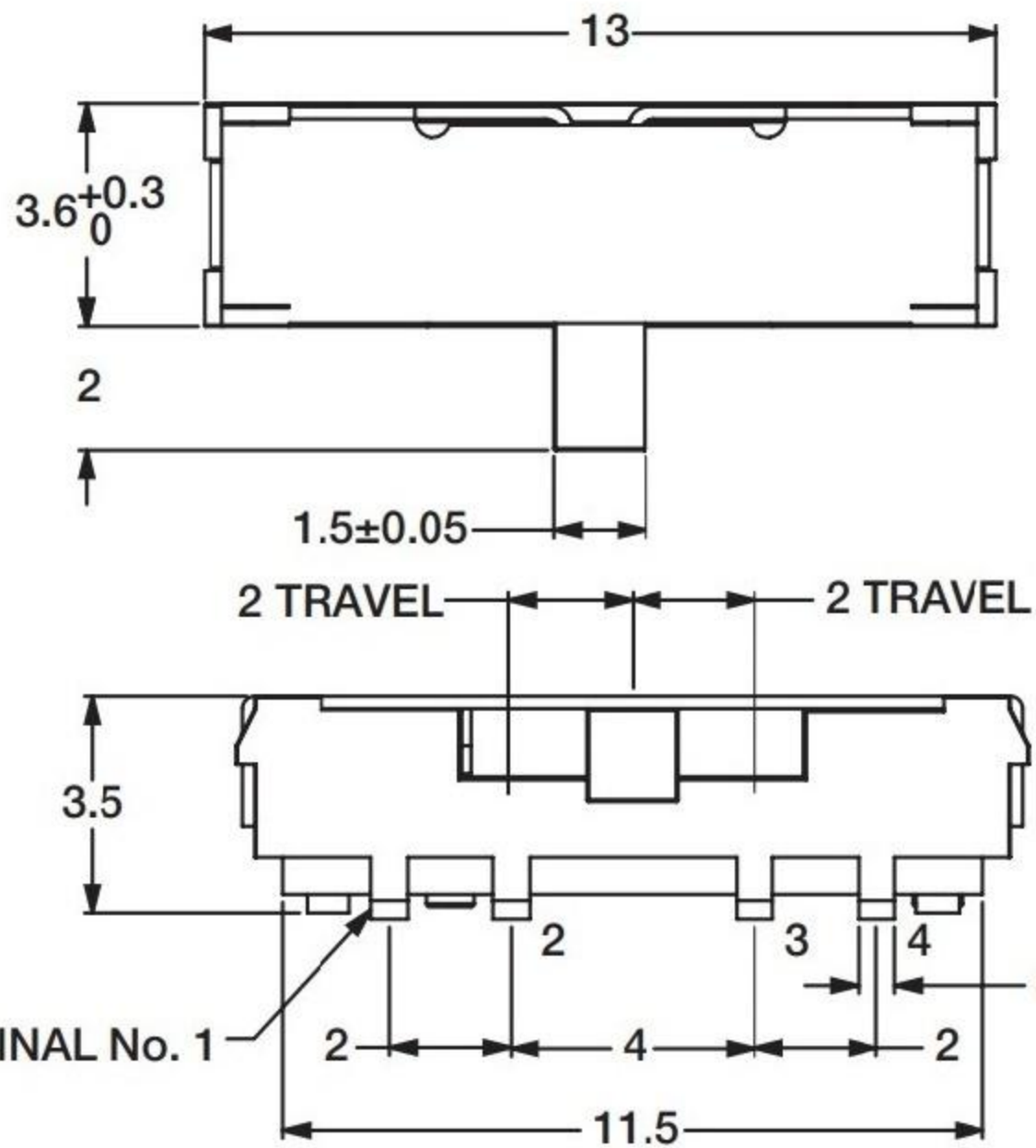
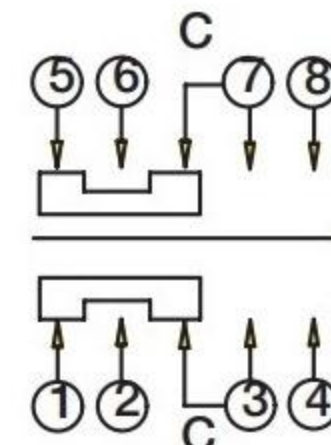
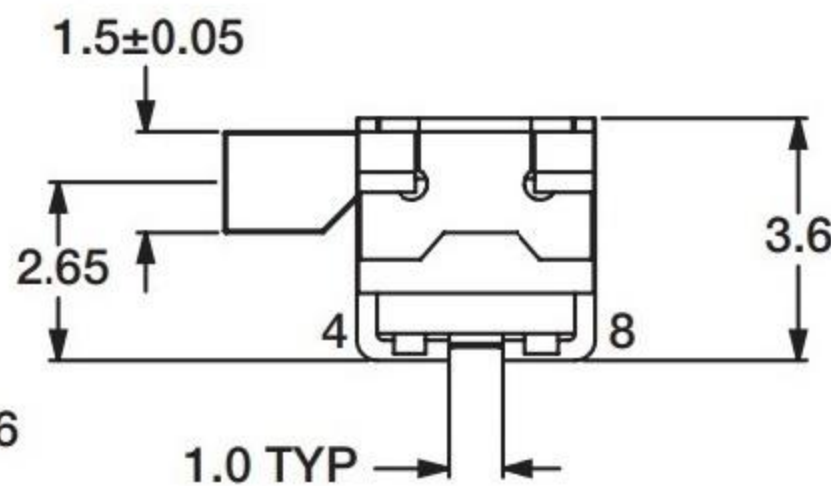


CAD FILE:



PCB LAYOUT RECOMMENDED



SCHEMATIC  
C: COMMON PIN

拨动开关技术参数:

1. 额定负荷: DC 30V 50V 0.3A 0.5A
2. 接触阻抗:  $\leq 50m\Omega$
3. 绝缘阻抗:  $\geq 100m\Omega$  DC500V
4. 耐焊温度:  $250\pm 5^\circ$  5s
5. 使用寿命: 10,000 cycles
6. 使用温度:  $-25^\circ\text{C}$  to  $80^\circ\text{C}$
7. 使用湿度:  $\leq 85\%$  RH
8. 操作力: 160gf 256gf 300gf 可定制

NO.	PARTS	MATERIALS	QTY	FINISH	TOLERANCE UNLESS SPECIFIED		WITHIN OVER		DESCRIPTIONS OF REVISION		APPD
8											
7	STEEL BALL	STEEL	1	NATURAL							
6	SPRING	STEEL WIRE	1	NATURAL							
5	CONTACT CLIP	PBS STRIP	2	Ag PLATED							
4	TERMINAL	BRASS STRIP	10	Ag PLATED							
3	BASE	PHENOLIC RESIN	1	BLACK							
2	FRAME	STEEL STRIP	1	Ni PLATED							
1	KNOB	POM	1	BLACK							
					TITLE: HORIZONTAL SLIDE SWITCH		UNIT : mm		DRWG NO.:		
					MODEL:		SCALE: 2:1		DWN		
					APPD				2012-12-25		
					APPD				2012-12-25		

东莞市高迪电子有限公司